

4.3 DCY减速器外形尺寸及承载能力和热功率(DCY speed reducer outline dimension and loading capacity and thermal power.)
 外观尺寸见图4、表4；承载能力见表5；热功率见表6。
 Outline dimension see Picture 4, Form 4; loading capacity see Form 5; thermal power see Form 6.

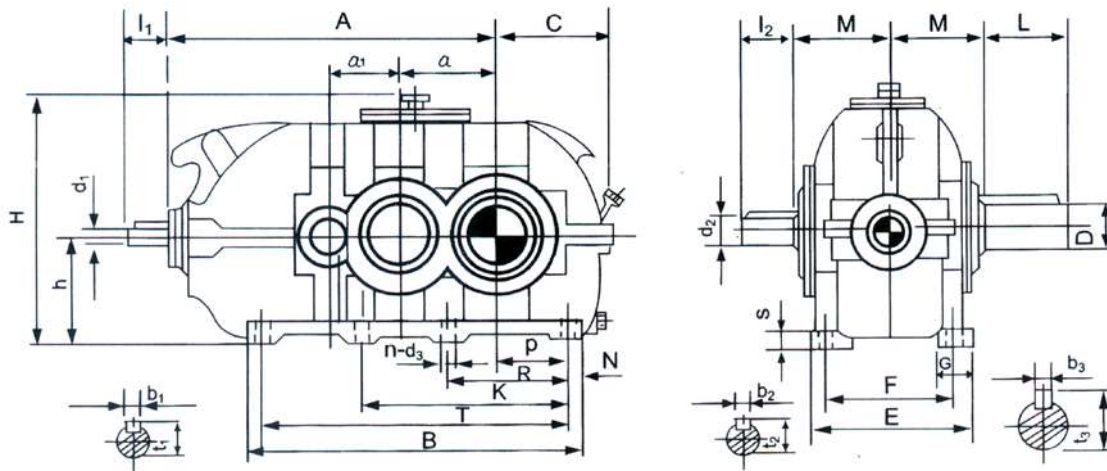


图4 DCY型减速器 (Picture4 DCY speed reducer)

表4 (Form 4) DCY型减速器外型尺寸 DCY type speed reducer outline dimension mm

名义中心距a Nominal central distance a	a1	i=16~56				i=63~90				d2	I2	D	L	A	B	C	E	F	G	S	h	H	M
		d1	I1																				
160	112	25	60	20	50	32	80	70	140	510	555	190	250	210	65	35	180	430	145				
180	125	30		25	60	38		80		575	625	215	270	230	70		200	468	160				
200	140	35	80	30		42		90	170	640	685	240	300	250	75	40	225	520	175				
224	160	40		35	80	48		100		725	775	260	320	270	80	45	250	570	190				
250	180	42	110	38		50	110	110	210	815	860	290	370	310	90	50	280	626	210				
280	200	50		42	110	55		120		905	970	325	400	340	200	55	315	702	230				
315	224	55		50		65	140	140	250	1020	1085	355	450	380	110	60	355	809	260				
355	250	60		55		75		160		1140	1220	390	480	410	120	65	400	900	285				
400	280	65	140	60	140	85	170	170	300	1275	1355	440	530	460	130	70	450	970	305				
450	315	75		65		95		190		1425	1520	490	600	510	140	80	500	1065	345				
500	355	90	170	75		100	210	220	350	1585	1690	570	650	560	150	90	560	1208	435				
560	400	100		90	170	110		250	410	1775	1895	610	750	640	160	100	630	1325	475				
630	450	110	210	100		130	250	300	470	1995	2145	675	800	690	170	110	710	1460	525				
710	500	120		110	210	150		340	550	2235	2400	760	900	770	190	125	800	1665	570				
800	560	130	250	120		160	300	400	650	2505	2700	840	1000	870	200	140	900	1870	625				

名义中心距a Nominal central distance a	n-d3	N	P	R	K	T	i=16~56		i=63~90		b2	t2	b3	t3	平均重量kg Weight	油量l Oil level	图号 Drawing No.
							b1	t1	b1	t1							
160	6-18		115	210		495		28	6	22.5		35	20	74.5	200	9	DCY160.0
180		30	135	240		565	8	33		28	10	41	22	85	255	13	DCY180.0
200	6-23		145	255		615	10	38	8	33	12	45	25	95	325	18	DCY200.0
224		35	165	290	-	705		43		38		52		106	453	26	DCY224.0
250	6-27	40	180	315		780	12	45	10	41	14	54	28	116	586	33	DCY250.0
280		45	200	355		880	14	54	12	45	16	59	32	127	837	46	DCY280.0
315	8-33	50	220	405	655	985	16	59	14	53.5	18	69	36	148	1100	65	DCY315.0
355		55	245	450	740	1110		64	16	59	20	80	40	169	1550	90	DCY355.0
400	8-39		280	510	840	1245	18	69		64	22	90		179	1967	125	DCY400.0
450		60	315	575	940	1400	20	80	18	69	25	100	45	200	2675	180	DCY450.0
500		70	350	645	1050	1550	25	95	20	79.5		106	50	231	4340	240	DCY500.0
560		80	390	715	1165	1735		106	25	95	28	116	56	262	5320	335	DCY560.0
630	8-45		445	800	1305	1985	28	116		106	32	137	70	314	7170	480	DCY630.0
710		90	500	900	1490	2220		127	28	116	36	158	80	355	9600	690	DCY710.0
800			560	1100	1680	2520	32	137	32	127	40	169	90	417	13340	940	DCY800.0