



# NER GROUP CO.,LIMITED

Yantai Bonway Manufacturer Co.,Ltd



## YE3 Series Super- High Efficiency Three Phase Induction Motors

### ➤ General Description



- Frame sizes: 63 to 355      Rated output: 0.12 to 400kW
- Voltage: 380V                      Frequency: 50Hz or 60Hz
- Poles: 2, 4, 6, 8,10              Efficiency levels: IE3
- Duty Cycle: S1                      Enclosure: IC411 - TEFC
- Insulation class: F                  Degree of protection: IP55

**Applications:** Can be applied in the machines where continuous duty is required, like pumps, fans, machine etc.

**Features:** Beautiful profile, high efficiency and energy saving (Level 3 of GB18613-2020), class F insulation, IP55 protection grade, low noise, little vibration, reliable running.

### ➤ Performance Data

Model	Output kW	FLA	RPM	Eff.%	Power Factor	FLT N.m	380V		50Hz		dB(A)
							$\frac{LRT}{FLT}$ $\frac{Tst}{TN}$	$\frac{LRA}{FLA}$ $\frac{Ist}{IN}$	$\frac{BDT}{FLT}$ $\frac{Tmax}{TN}$		
Synchronous speed 3000 r/min											
YE3-63M1-2	0.18	0.53	2720	63.9	0.80	0.63	2.2	5.5	2.2	61	
YE3-63M2-2	0.25	0.70	2720	67.1	0.81	0.88	2.2	5.5	2.2	61	
YE3-71M1-2	0.37	1.0	2740	69.0	0.81	1.29	2.2	6.1	2.2	62	
YE3-71M2-2	0.55	1.4	2740	72.3	0.82	1.92	2.2	6.1	2.2	62	
YE3-80M1-2	0.75	1.7	2870	80.7	0.82	2.50	2.2	7.0	2.3	62	
YE3-80M2-2	1.1	2.4	2875	82.7	0.83	3.65	2.2	7.3	2.3	62	
YE3-90S-2	1.5	3.2	2880	84.2	0.84	4.97	2.2	7.6	2.3	67	
YE3-90L-2	2.2	4.6	2880	85.9	0.85	7.30	2.2	7.6	2.3	67	
YE3-100L-2	3	6.0	2880	87.1	0.87	9.95	2.2	7.8	2.3	74	
YE3-112M-2	4	7.8	2915	88.1	0.88	13.1	2.2	8.3	2.3	77	
YE3-132S1-2	5.5	10.6	2935	89.2	0.88	17.9	2.0	8.3	2.3	79	
YE3-132S2-2	7.5	14.4	2930	90.1	0.88	24.4	2.0	7.9	2.3	79	
YE3-160M1-2	11	20.6	2950	91.2	0.89	35.6	2.0	8.1	2.3	81	
YE3-160M2-2	15	27.9	2945	91.9	0.89	48.6	2.0	8.1	2.3	81	
YE3-160L-2	18.5	34.2	2945	92.4	0.89	60.0	2.0	8.2	2.3	81	
YE3-180M-2	22	40.5	2950	92.7	0.89	71.2	2.0	8.2	2.3	83	
YE3-200L1-2	30	54.9	2965	93.3	0.89	96.6	2.0	7.6	2.3	84	
YE3-200L2-2	37	67.4	2965	93.7	0.89	119	2.0	7.6	2.3	84	
YE3-225M-2	45	80.8	2965	94.0	0.90	145	2.0	7.7	2.3	86	
YE3-250M-2	55	98.5	2975	94.3	0.90	177	2.0	7.7	2.3	89	
YE3-280S-2	75	134	2975	94.7	0.90	241	1.8	7.1	2.3	91	
YE3-280M-2	90	160	2975	95.0	0.90	289	1.8	7.1	2.3	91	
YE3-280M1-2	110	195	2975	95.2	0.90	353	1.8	7.1	2.3	91	

**Performance Data**
**380V 50Hz**

Model	Output kW	FLA	RPM	Eff. %	Power Factor	FLT N.m	$\frac{LRT}{FLT}$ $\frac{Tst}{T_N}$	$\frac{LRA}{FLA}$ $\frac{Ist}{I_N}$	$\frac{BDT}{FLT}$ $\frac{Tmax}{T_N}$	dB(A)
Synchronous speed 3000 r/min										
YE3-315S-2	110	195	2985	95.2	0.90	352	1.8	7.1	2.3	92
YE3-315M-2	132	234	2985	95.4	0.90	422	1.8	7.1	2.3	92
YE3-315L1-2	160	279	2985	95.6	0.91	512	1.8	7.2	2.3	92
YE3-315L-2	185	323	2985	95.7	0.91	592	1.8	7.2	2.3	92
YE3-315L2-2	200	349	2985	95.8	0.91	640	1.8	7.2	2.2	92
YE3-315L3-2	220	383	2985	95.8	0.91	704	1.8	7.2	2.2	92
YE3-355M1-2	220	383	2985	95.8	0.91	704	1.8	7.2	2.2	100
YE3-355M-2	250	436	2985	95.8	0.91	800	1.6	7.2	2.2	100
YE3-355L1-2	280	488	2985	95.8	0.91	896	1.6	7.2	2.2	100
YE3-355L-2	315	549	2985	95.8	0.91	1008	1.6	7.2	2.2	100
YE3-355 1-2	355	619	2985	95.8	0.91	1136	1.6	7.2	2.2	104
YE3-355 2-2	375	654	2985	95.8	0.91	1200	1.6	7.2	2.2	104
Synchronous speed 1500 r/min										
YE3-63M1-4	0.12	0.45	1310	55.8	0.72	0.87	2.1	4.4	2.2	52
YE3-63M2-4	0.18	0.64	1310	58.6	0.73	1.31	2.1	4.4	2.2	52
YE3-71M1-4	0.25	0.81	1330	63.6	0.74	1.80	2.1	5.2	2.2	55
YE3-71M2-4	0.37	1.1	1330	65.3	0.75	2.66	2.1	5.2	2.2	55
YE3-80M1-4	0.55	1.4	1430	80.6	0.75	3.67	2.3	6.5	2.3	56
YE3-80M2-4	0.75	1.8	1430	82.5	0.75	5.01	2.3	6.6	2.3	56
YE3-90S-4	1.1	2.6	1430	84.1	0.76	7.35	2.3	6.8	2.3	59
YE3-90L-4	1.5	3.5	1430	85.3	0.77	10.0	2.3	7.0	2.3	59
YE3-100L1-4	2.2	4.8	1440	86.7	0.81	14.6	2.3	7.6	2.3	64
YE3-100L2-4	3	6.3	1440	87.7	0.82	19.9	2.3	7.6	2.3	64
YE3-112M-4	4	8.4	1455	88.6	0.82	26.3	2.2	7.8	2.3	65
YE3-132S-4	5.5	11.2	1465	89.6	0.83	35.9	2.0	7.9	2.3	71
YE3-132M-4	7.5	15.0	1465	90.4	0.84	48.9	2.0	7.5	2.3	71
YE3-160M-4	11	21.5	1470	91.4	0.85	71.5	2.0	7.7	2.3	73
YE3-160L-4	15	28.8	1470	92.1	0.86	97.4	2.0	7.8	2.3	73
YE3-180M-4	18.5	35.3	1470	92.6	0.86	120	2.0	7.8	2.3	76
YE3-180L-4	22	41.8	1470	93.0	0.86	143	2.0	7.8	2.3	76
YE3-200L-4	30	56.6	1475	93.6	0.86	194	2.0	7.3	2.3	76
YE3-225S-4	37	69.6	1480	93.9	0.86	239	2.0	7.4	2.3	78
YE3-225M-4	45	84.4	1480	94.2	0.86	290	2.0	7.4	2.3	78
YE3-250M-4	55	103	1485	94.6	0.86	354	2.0	7.4	2.3	79
YE3-280S-4	75	136	1490	95.0	0.88	481	2.0	6.7	2.3	80
YE3-280M-4	90	163	1490	95.2	0.88	577	2.0	6.9	2.3	80
YE3-280M1-4	110	197	1490	95.4	0.89	705	2.0	7.0	2.2	80
YE3-315S-4	110	197	1490	95.4	0.89	705	2.0	7.0	2.2	88
YE3-315M-4	132	236	1490	95.6	0.89	846	2.0	7.0	2.2	88
YE3-315L1-4	160	285	1490	95.8	0.89	1026	2.0	7.1	2.2	88
YE3-315L-4	185	329	1490	95.9	0.89	1186	2.0	7.1	2.2	88

**Performance Data**
**380V 50Hz**

Model	Output kW	FLA	RPM	Eff. %	Power Factor	FLT N.m	$\frac{LRT}{FLT}$ $\frac{Tst}{T_N}$	$\frac{LRA}{FLA}$ $\frac{Ist}{I_N}$	$\frac{BDT}{FLT}$ $\frac{Tmax}{T_N}$	dB(A)
Synchronous speed 1500 r/min										
YE3-315L2-4	200	352	1490	96.0	0.90	1282	2.0	7.1	2.2	88
YE3-315L3-4	220	387	1490	96.0	0.90	1410	2.0	7.1	2.2	88
YE3-355M1-4	220	387	1490	96.0	0.90	1410	2.0	7.1	2.2	95
YE3-355M-4	250	440	1495	96.0	0.90	1597	2.0	7.1	2.2	95
YE3-355L1-4	280	492	1495	96.0	0.90	1789	2.0	7.1	2.2	95
YE3-355L-4	315	554	1495	96.0	0.90	2012	2.0	7.1	2.2	95
YE3-355 1-4	355	638	1495	96.0	0.88	2268	1.7	7.0	2.2	102
YE3-355 2-4	375	674	1495	96.0	0.88	2395	1.7	7.0	2.2	102
Synchronous speed 1000 r/min										
YE3-71M1-6	0.18	0.76	850	54.6	0.66	2.02	1.9	4.0	2.0	52
YE3-71M2-6	0.25	0.97	850	57.4	0.68	2.81	1.9	4.0	2.0	52
YE3-80M1-6	0.37	1.2	910	68.0	0.70	3.88	1.9	5.5	2.0	54
YE3-80M2-6	0.55	1.6	925	72.0	0.71	5.68	1.9	5.8	2.1	54
YE3-90S-6	0.75	2.0	945	78.9	0.71	7.58	2.0	6.0	2.1	57
YE3-90L-6	1.1	2.8	950	81.0	0.73	11.1	2.0	6.0	2.1	57
YE3-100L-6	1.5	3.8	950	82.5	0.73	15.1	2.0	6.5	2.1	61
YE3-112M-6	2.2	5.4	965	84.3	0.74	21.8	2.0	6.6	2.1	65
YE3-132S-6	3	7.2	975	85.6	0.74	29.4	1.9	6.8	2.1	69
YE3-132M1-6	4	9.5	975	86.8	0.74	39.2	1.9	6.8	2.1	69
YE3-132M2-6	5.5	12.7	975	88.0	0.75	53.9	1.9	7.0	2.1	69
YE3-160M-6	7.5	16.2	980	89.1	0.79	73.1	1.9	7.0	2.1	70
YE3-160L-6	11	23.1	980	90.3	0.80	107	1.9	7.2	2.1	70
YE3-180L-6	15	30.9	980	91.2	0.81	146	1.9	7.3	2.1	73
YE3-200L1-6	18.5	37.8	985	91.7	0.81	179	1.9	7.3	2.1	73
YE3-200L2-6	22	44.8	985	92.2	0.81	213	1.9	7.4	2.1	73
YE3-225M-6	30	59.1	985	92.9	0.83	291	1.9	6.9	2.1	74
YE3-250M-6	37	71.7	985	93.3	0.84	359	1.9	7.1	2.1	76
YE3-280S-6	45	85.8	990	93.7	0.85	434	1.9	7.3	2.0	78
YE3-280M-6	55	103	990	94.1	0.86	531	1.9	7.3	2.0	78
YE3-280M1-6	75	143	990	94.6	0.84	723	1.9	6.6	2.0	78
YE3-315S-6	75	143	990	94.6	0.84	723	1.9	6.6	2.0	83
YE3-315M-6	90	170	990	94.9	0.85	868	1.9	6.7	2.0	83
YE3-315L1-6	110	207	990	95.1	0.85	1061	1.9	6.7	2.0	83
YE3-315L2-6	132	244	990	95.4	0.86	1273	1.9	6.8	2.0	83
YE3-315L3-6	160	296	990	95.6	0.86	1543	1.9	6.8	2.0	83
YE3-355M1-6	160	296	995	95.6	0.86	1536	1.9	6.8	2.0	85
YE3-355M-6	185	342	995	95.7	0.86	1776	1.9	6.8	2.0	85
YE3-355M2-6	200	365	995	95.8	0.87	1920	1.9	6.8	2.0	85
YE3-355L1-6	220	401	995	95.8	0.87	2112	1.9	6.8	2.0	85

**Performance Data**
**380V 50Hz**

Model	Output kW	FLA	RPM	Eff.%	Power Factor	FLT N.m	$\frac{LRT}{FLT} \frac{Tst}{T_N}$	$\frac{LRA}{FLA} \frac{Ist}{I_N}$	$\frac{BDT}{FLT} \frac{Tmax}{T_N}$	dB(A)
Synchronous speed 1000 r/min										
YE3-355L-6	250	456	995	95.8	0.87	2399	1.9	6.8	2.0	85
YE3-355 1-6	280	510	995	95.8	0.87	2687	1.9	6.8	2.0	91
YE3-355 2-6	315	581	995	95.8	0.86	3023	1.9	6.8	2.0	91
Synchronous speed 750 r/min										
YE3-80M1-8	0.18	0.8	700	56.0	0.61	2.46	1.8	3.3	1.9	52
YE3-80M2-8	0.25	1.1	700	59.0	0.61	3.41	1.8	3.3	1.9	52
YE3-90S-8	0.37	1.4	695	66.0	0.61	5.08	1.8	4.0	1.9	56
YE3-90L-8	0.55	2.0	695	70.0	0.61	7.56	1.8	4.0	2.0	56
YE3-100L1-8	0.75	2.3	705	73.5	0.67	10.2	1.8	4.0	2.0	59
YE3-100L2-8	1.1	3.2	705	76.5	0.69	14.9	1.8	5.0	2.0	59
YE3-112M-8	1.5	4.2	715	77.5	0.70	20.0	1.8	5.0	2.0	61
YE3-132S-8	2.2	5.9	730	80.0	0.71	28.8	1.8	6.0	2.2	64
YE3-132M-8	3	7.6	730	82.5	0.73	39.2	1.8	6.0	2.2	64
YE3-160M1-8	4	9.8	725	85.0	0.73	52.7	1.9	6.0	2.2	68
YE3-160M2-8	5.5	13.1	725	86.0	0.74	72.4	1.9	6.0	2.2	68
YE3-160L-8	7.5	17.4	730	87.5	0.75	98.1	1.9	6.0	2.2	68
YE3-180L-8	11	25.0	725	89.0	0.75	145	1.9	6.5	2.2	70
YE3-200L-8	15	33.2	730	90.4	0.76	196	2.0	6.6	2.2	73
YE3-225S-8	18.5	40.6	735	91.2	0.76	240	2.0	6.6	2.2	73
YE3-225M-8	22	46.8	735	91.5	0.78	286	2.0	6.6	2.2	73
YE3-250M-8	30	62.6	735	92.2	0.79	390	1.9	6.5	2.0	75
YE3-280S-8	37	76.5	740	93.0	0.79	478	1.8	6.6	2.0	76
YE3-280M-8	45	92.6	740	93.5	0.79	581	1.8	6.6	2.0	76
YE3-280M1-8	55	110	740	93.8	0.81	710	1.8	6.6	2.0	76
YE3-315S-8	55	110	740	93.8	0.81	710	1.8	6.6	2.0	82
YE3-315M-8	75	150	740	94.0	0.81	968	1.8	6.2	2.0	82
YE3-315L1-8	90	176	740	94.5	0.82	1161	1.8	6.4	2.0	82
YE3-315L2-8	110	215	740	94.8	0.82	1420	1.8	6.4	2.0	82
YE3-355M1-8	132	257	745	95.0	0.82	1692	1.8	6.4	2.0	90
YE3-355M2-8	160	312	745	95.0	0.82	2051	1.8	6.4	2.0	90
YE3-355L1-8	185	360	745	95.2	0.82	2371	1.8	6.4	2.0	90
YE3-355L-8	200	385	745	95.2	0.83	2564	1.8	6.4	2.0	90
YE3-355 1-8	220	423	745	95.2	0.83	2820	1.8	6.4	2.0	90
YE3-355 2-8	250	481	745	95.2	0.83	3205	1.8	6.5	2.0	90
Synchronous speed 600 r/min										
YE3-315S-10	45	99	590	92.0	0.75	728	1.5	6.2	2.0	90
YE3-315M-10	55	120	590	92.5	0.75	890	1.5	6.2	2.0	90
YE3-315L1-10	75	161	590	93.0	0.76	1214	1.5	5.8	2.0	90
YE3-315L2-10	90	190	590	93.4	0.77	1457	1.5	5.9	2.0	90

## Performance Data

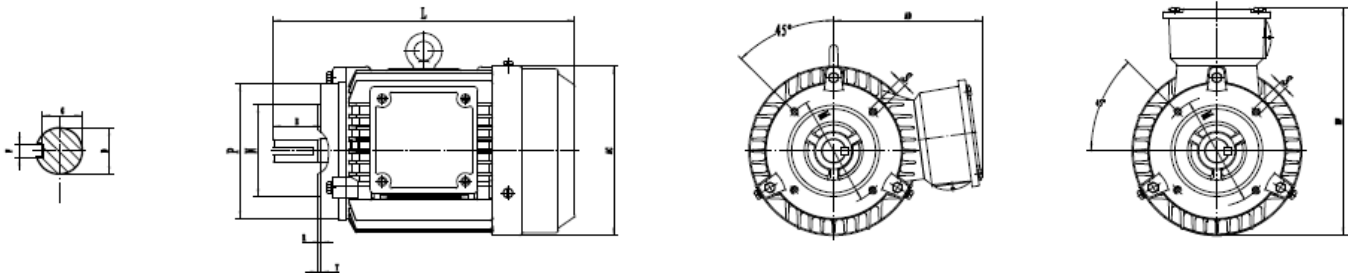
**380V 50Hz**

Model	Output kW	FLA	RPM	Eff. %	Power Factor	FLT N.m	$\frac{LRT}{FLT} \frac{Tst}{T_N}$	$\frac{LRA}{FLA} \frac{Ist}{I_N}$	$\frac{BDT}{FLT} \frac{Tmax}{T_N}$	dB(A)
Synchronous speed 600 r/min										
YE3-355M1-10	110	228	595	93.8	0.78	1766	1.3	6.0	2.0	90
YE3-355M2-10	132	273	595	94.2	0.78	2119	1.3	6.0	2.0	90
YE3-355L1-10	160	331	595	94.2	0.78	2568	1.3	6.0	2.0	90
YE3-355L-10	185	383	595	94.2	0.78	2969	1.3	6.0	2.0	90
YE3-355 1-10	200	414	595	94.2	0.78	3210	1.3	6.0	2.0	90
YE3-355 2-10	220	455	595	94.2	0.78	3531	1.3	6.0	2.0	90

## Dimensions & Mounting

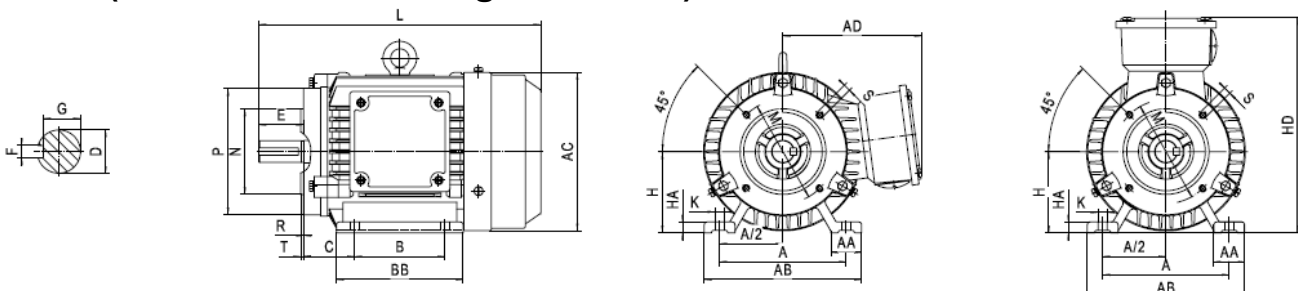
mm

### B14 (Footless and Small Flange Mounted)



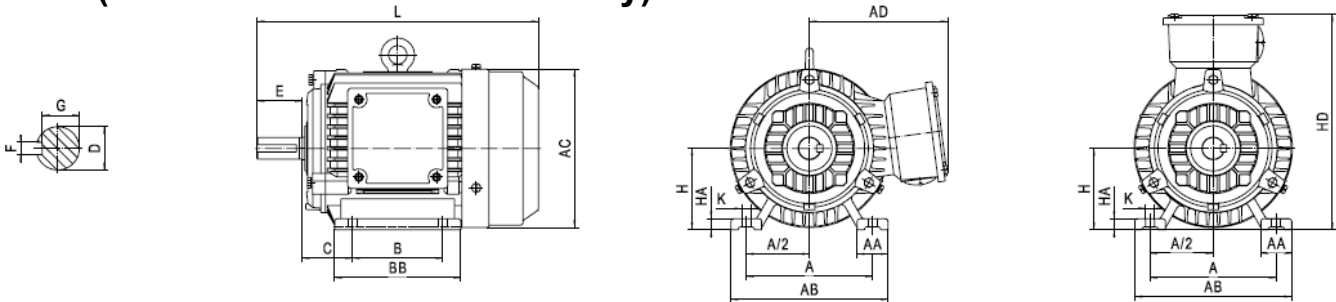
Frame	Poles	Mounting Dimension										Overall Dimension			
		D	E	F	G	M	N	P	R	S	T	AC	AD	HF	L
63M	2,4	11	23	4	8.5	75	60	90	0	4-M5	2.5	135	70	140	230
71M	2,4,6	14	30	5	11	85	70	105	0	4-M6	2.5	145	80	160	255
80M	2,4,6,8	19	40	6	15.5	100	80	120	0	4-M6	3	165	145	225	295
90S	2,4,6,8	24	50	8	20	115	95	140	0	4-M8	3	180	165	255	345
90L	2,4,6,8														385
100L	2,4,6,8	28	60	8	24	130	110	160	0	4-M8	3.5	205	175	275	390
112M	2, 6,8	28	60	8	24	130	110	160	0	4-M8	3.5	225	190	300	425
	4														455

### B34 (Foot and Small Flange Mounted)



Frame	Poles	Mounting Dimension														Overall Dimension								
		A	B	C	D	E	F	G	H	K	M	N	P	R	S	T	AA	BB	HA	AB	AC	AD	HD	L
63M	2,4	100	80	40	11	23	4	8.5	63	7	75	60	90	0	4-M5	2.5	30	110	8	135	135	70	180	230
71M	2,4,6	112	90	45	14	30	5	11	71	7	85	70	105	0	4-M6	2.5	32	120	8	150	145	80	195	255
80M	2,4,6,8	125	100	50	19	40	6	15.5	80	10	100	80	120	0	4-M6	3	32	135	10	160	165	145	225	295
90S	2,4,6,8	140	100	56	24	50	8	20	90	10	115	95	140	0	4-M8	3	34	170	12	180	180	165	255	345
90L	2,4,6,8		125															210						385
100L	2,4,6,8	160	140	63	28	60	8	24	100	12	130	110	160	0	4-M8	3.5	39	186	14	200	205	175	275	390
112M	2, 6,8	190	140	70	28	60	8	24	112	12	130	110	160	0	4-M8	3.5	45	200	14	230	225	190	300	425
	4																	230						455

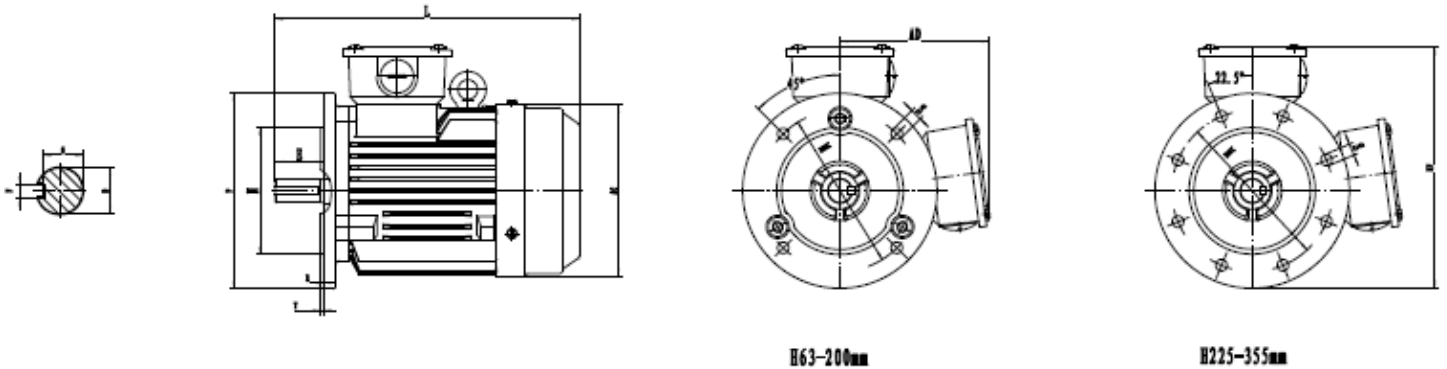
### B3 (Horizontal Foot Mounted Only)



Frame	Poles	Mounting Dimension														Overall Dimension												
		A	B	C	D	E	F	G	H	K	AA	BB	HA	AB	AC	AD	HD	L										
63M	2,4	100	80	40	11	23	4	8.5	63	7	30	110	8	135	135	70	180	230										
71M	2,4,6	112	90	45	14	30	5	11	71	7	32	120	8	150	145	80	195	255										
80M	2,4,6,8	125	100	50	19	40	6	15.5	80	10	32	135	10	160	165	145	225	295										
90S	2,4,6,8	140	100	56	24	50	8	20	90	10	34	170	12	180	180	165	255	345										
90L			125									210						385										
100L	2,4,6,8	160	140	63	28	60	8	24	100	12	39	186	14	200	205	175	275	390										
112M	2, 6,8	190	140	70	28	60	8	24	112	12	130	110	160	0	4-M8	3.5	45	200	14	230	225	190	300	425				
	4																	230						455				
132S	2,4,6,8	216	140	89	38	80	10	33	132	12	55	190	18	265	270	220	350	475										
132M			178									230						510										
160M	2,4,6,8	254	210	108	42	110	12	37	160	15	65	260	20	315	320	260	420	610										
160L			254									304						655										
180M	2,4,6,8	279	241	121	48	110	14	42.5	180	15	70	311	22	355	360	265	445	680										
180L			279									349						715										
200L	2,4,6,8	318	305	133	55	110	16	49	200	19	74	379	26	395	400	305	505	770										
225S	4,8	356	286	149	60	140	18	53	225	19	78	375	28	435	450	325	550	795										
225M	2		311															55	110	16	49	400	800					
	4,6,8		60															140	18	53	825							
250M	2	406	349	168	60	140	18	53	250	24	80	445	30	490	510	380	630	890										
	4,6,8				65			58																				
280S	2	457	368	190	65	140	18	58	280	24	90	485	35	545	550	395	675	975										
280M	4,6,8																	419	65	18	58	20	67.5	536	1025			
	2																									75	20	67.5
	4,6,8																											
315S	2	508	406	216	65	140	18	58	315	28	120	570	45	635	630	540	855	1180										
315M	4,6,8,10				80													170	22	71	1210							
	2				457													65	140	18	58	610	1215					

315L	4,6,8,10	508	254	80	170	22	71	355	28	130	52	735	715	645	1000	1245	
	2			65	140	18	58									680	1290
	4,6,8,10			80	170	22	71									680	1320
355M	2	560	254	75	140	20	67.5	355	28	130	52	735	715	645	1000	1390	
	4,6,8,10 .12			95	170	25	86									690	1420
355LL1	2	610	254	75	140	20	67.5	355	28	130	52	735	715	645	1000	1500	
	4,6,8,10 .12			95	170	25	86									750	1530
355 1/2	2	630	254	80	170	22	71	355	28	130	52	735	715	645	1000	1530	
	4,6,8,10 .12			110	210	28	100									750	1570

### B5 (Footless and B5 Flange Mounted)

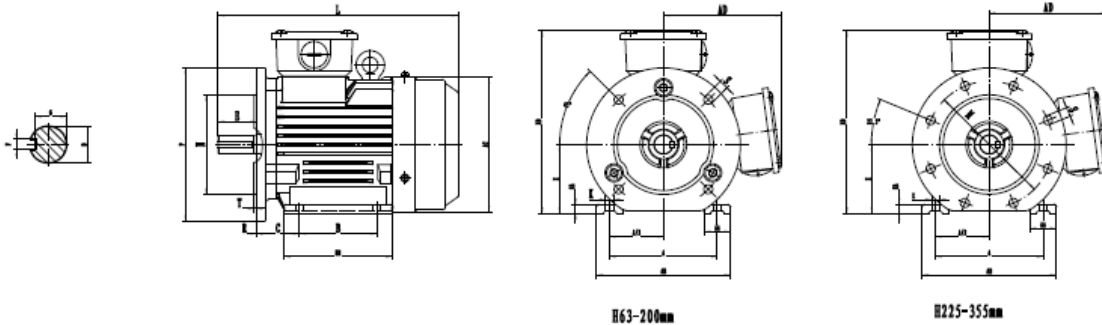


Frame	Poles	Mounting Dimension										Overall Dimension			
		D	E	F	G	M	N	P	R	S	T	AC	AD	HF	L
63M	2,4	11	23	4	8.5	115	95	140	0	4-Φ10	3	135	70	140	230
71M	2,4,6	14	30	5	11	130	110	160	0	4-Φ10	3.5	145	80	160	255
80M	2,4,6,8	19	40	6	15.5	165	130	200	0	4-Φ12	3.5	165	145	245	295
90S	2,4,6,8	24	50	8	20	165	130	200	0	4-Φ12	3.5	180	165	265	345
90L															385
100L	2,4,6,8	28	60	8	24	215	180	250	0	4-Φ15	4	205	175	300	390
112M	2,6,8	28	60	8	24	215	180	250	0	4-Φ15	4	225	190	315	425
	4														455
132S	2,4,6,8	38	80	10	33	265	230	300	0	4-Φ15	4	270	220	370	475
132M															510
160M	2,4,6,8	42	110	12	37	300	250	350	0	4-Φ19	5	320	260	435	610
160L															655
180M	2,4,6,8	48	110	14	42.5	300	250	350	0	4-Φ19	5	360	265	440	680
180L															715
200L	2,4,6,8	55	110	16	49	350	300	400	0	4-Φ19	5	400	305	505	770
225S	4,8	60	140	18	53	400	350	450	0	8-Φ19	5	450	325	550	795
225M	2	55	110	16	49										800
	4,6,8	60	140	18	53										825
250M	2	60	140	18	53	500	450	550	0	8-Φ19	5	510	380	655	890
	4,6,8	65			58										
280S	2	65	140	18	58	500	450	550	0	8-Φ19	5	550	395	670	975



	4,6,8	75		20	67.5																				
280M	2	65		18	58																				
	4,6,8	75		20	67.5																				1025

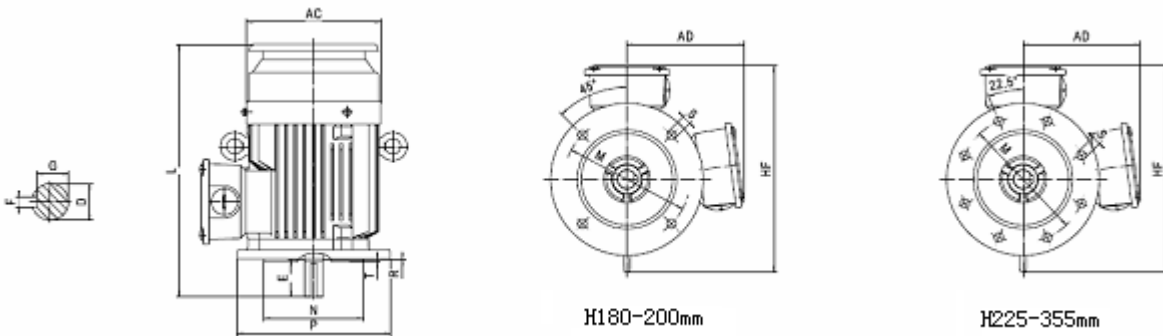
### B35 (Foot and B5 Flange Mounted)



Frame	Poles	Mounting Dimension															Overall Dimension							
		A	B	C	D	E	F	G	H	K	M	N	P	R	S	T	AA	BB	HA	AB	AC	AD	HD	L
63M	2,4	100	80	40	11	23	4	8.5	63	7	115	95	140	0	4-Φ 10	3	30	110	8	135	135	70	180	230
71M	2,4,6	112	90	45	14	30	5	11	71	7	130	110	160	0	4-Φ 10	3.5	32	120	8	150	145	80	195	255
80M	2,4,6,8	125	100	50	19	40	6	15.5	80	10	165	130	200	0	4-Φ 12	3.5	32	135	10	160	165	145	225	295
90S	2,4,6,8	140	100	56	24	50	8	20	90	10	165	130	200	0	4-Φ 12	3.5	34	170	12	180	180	165	255	345
90L			125																					210
100L	2,4,6,8	160	140	63	28	60	8	24	100	12	215	180	250	0	4-Φ 15	4	39	186		200	205	175	275	390
112M	2,6,8	190	140	70	28	60	8	24	112	12	215	180	250	0	4-Φ 15	4	45	200	14	230	225	190	300	425
	4																	230						455
132S	2,4,6,8	216	140	89	38	80	10	33	132	12	265	230	300	0	4-Φ 15	4	55	190	18	265	270	220	350	475
132M			178															230						510
160M	2,4,6,8	254	210	108	42	110	12	37	160	15	300	250	350	0	4-Φ 19	5	65	260	20	315	320	260	420	610
160L			254															304						655
180M	2,4,6,8	279	241	121	48	110	14	42.5	180	15	300	250	350	0	4-Φ 19	5	70	311	22	355	360	265	445	680
180L			279															349						715
200L	2,4,6,8	318	305	133	55	110	16	49	200	19	350	300	400	0	4-Φ 19	5	74	379	26	395	400	305	505	770
225S	4,8	356	286	149	60	140	18	53	225	19	400	350	450	0	8-Φ 19	5	78	375	28	435	450	325	550	795
225M	2		311		55	110	16	49										53						800
	4,6,8		60		140	53	825																	
250M	2	406	349	168	60	140	18	58	250	24	500	450	550	0	8-Φ 19	5	80	445	30	490	510	380	630	890
	4,6,8				65																			
280S	2	457	368	190	65	140	20	67.5	280	24	500	450	550	0	8-Φ 19	5	90	485	35	545	550	395	675	975
	4,6,8				75																			
280M	2				419																			75
	4,6,8	75	20	67.5		1025																		
315S	2	406	65	140	18	58	315	28	600	550	660	0	8-Φ 24	6	120	570	1180							
	4,6,8,10																	80	170	22	71	1210		
315M	2	508	457	216	65	140	18	58	315	28	600	550	660	0	8-Φ 24	6	120	610	45	635	630	540	855	1215
	4,6,8,10				80	170	22	71																1245
315L	2	508	65	140	18	58	315	28	600	550	660	0	8-Φ 24	6	120	680	1290							
	4,6,8,10																	80	170	22	71	1320		

355M	2	560	75	140	20	67.5	355	28	740	680	800	0	8-Φ24	6	130	52	735	715	645	1000	1390
	4,6,8,10,12			95	170	25															86
355L1	2	610	254	75	140	20	355	28	740	680	800	0	8-Φ24	6	130	52	735	715	645	1000	1500
	4,6,8,10,12			95	170	25															86
3551/2	2	630	254	80	170	22	355	28	740	680	800	0	8-Φ24	6	130	52	735	715	645	1000	1530
	4,6,8,10,12			110	210	28															100

### V1 (Vertical Shaft down Footless Flange Mounted)

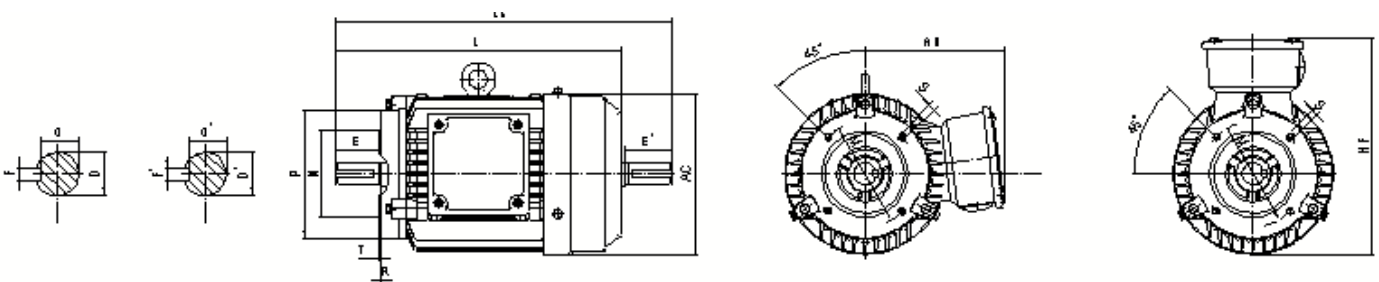


Frame	Poles	Mounting Dimension										Overall Dimension			
		D	E	F	G	M	N	P	R	S	T	AC	AD	HF	L
80M	2,4,6,8	19	40	6	15.5	165	130	200	0	4-φ12	3.5	165	145	245	315
90S	2,4,6,8	24	50	8	20	165	130	200	0	4-φ12	3.5	180	165	265	370
90L															410
100L	2,4,6,8	28	60	8	24	215	180	250	0	4-φ15	4	205	175	300	420
112M	2,6,8	28	60	8	24	215	180	250	0	4-φ15	4	225	190	315	455
	4														485
132S	2,4,6,8	38	80	10	33	265	230	300	0	4-φ15	4	270	220	370	510
132M															550
160M	2,4,6,8	42	110	12	37	300	250	350	0	4-φ19	5	320	260	435	655
160L															700
180M	2,4,6,8	48	110	14	42.5	300	250	350	0	4-Φ19	5	360	265	500	725
180L															765
200L	2,4,6,8	55	110	16	49	350	300	400	0	4-Φ19	5	400	305	570	825
225S	4,8	60	140	18	53	400	350	450	0	8-Φ19	5	450	325	615	855
225M	2	55	110	16	49										860
	4,6,8	60	140	18	53										885
250M	2	60	140	18	53	500	450	550	0	8-Φ19	5	510	380	715	955
	4,6,8	65			58										
280S	2	65	140	18	58	500	450	550	0	8-Φ19	5	550	395	760	1045
	4,6,8	75		20	67.5										
280M	2	65	140	18	58	500	450	550	0	8-Φ19	5	550	395	760	1100
	4,6,8	75		20	67.5										

315S	2	65	140	18	58	600	550	660	0	8-Φ24	6	630	540	970	1310
	4,6,8,10	80	170	22	71										1340
315M	2	65	140	18	58	600	550	660	0	8-Φ24	6	630	540	970	1345
	4,6,8,10	80	170	22	71										1375
315L	2	65	140	18	58	600	550	660	0	8-Φ24	6	630	540	970	1420
	4,6,8,10	80	170	22	71										1450
355M	2	75	140	20	67.5	740	680	800	0	8-Φ24	6	715	645	1135	1530
	4,6,8,10 .12	95	170	25	86										1560
355LL1	2	75	140	20	67.5	740	680	800	0	8-Φ24	6	715	645	1135	1640
	4,6,8,10 .12	95	170	25	86										1670
355L2/ L3	2	80	170	22	71	740	680	800	0	8-Φ24	6	715	645	1135	1670
	4,6,8,10 .12	110	210	28	100										1710

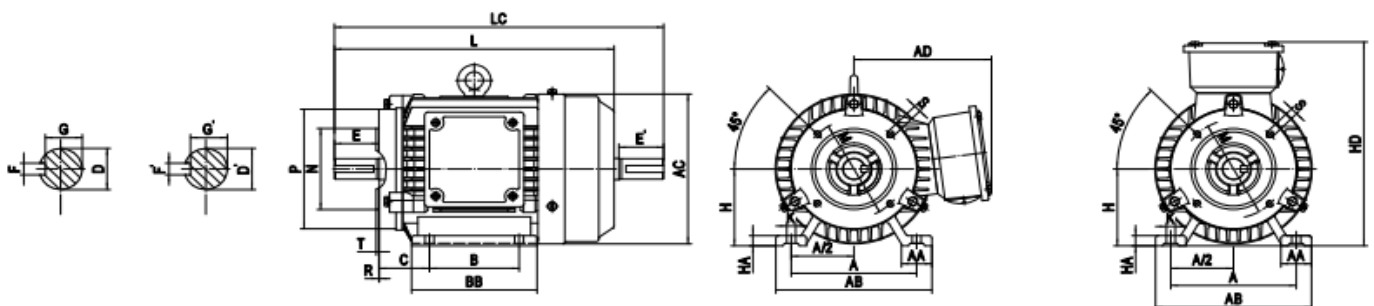
YE3 series motor with 2 shaft ends, dimensions as follows: mm

### B14 (Footless and Small Flange Mounted)



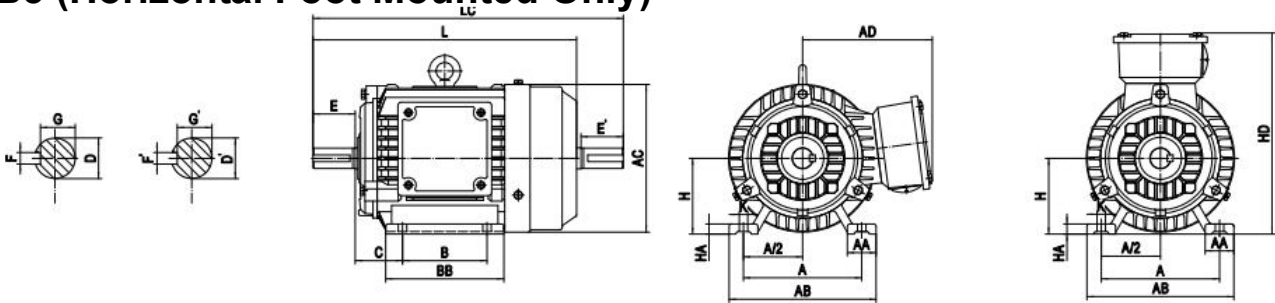
Frame	Poles	Mounting Dimension											Overall Dimension				
		D/D'	E/E'	F/F'	G/G'	M	N	P	R	S	T	AC	AD	HF	L	LC	
80M	2,4,6,8	19	40	6	15.5	100	80	120	0	4-M6	3	165	145	245	290	333	
90S	2,4,6,8	24	50	8	20	115	95	140	0	4-M8	3	180	165	265	340	393	
90L	2,4,6,8														380	433	
100L	2,4,6,8	28	60	8	24	130	110	160	0	4-M8	3.5	205	175	300	385	448	
112M	2,6,8	28	60	8	24	130	110	160	0	4-M8	3.5	225	190	315	420	483	
	4														450	513	

### B34 (Foot and Small Flange Mounted)



Frame	Poles	Mounting Dimension															Overall Dimension								
		A	B	C	D/D'	E/E'	F/F'	G/G'	H	K	M	N	P	R	S	T	AA	BB	HA	AB	AC	AD	HD	L	LC
80M	2,4,6,8	125	100	50	19	40	6	15.5	80	10	100	80	120	0	4-M6	3	32	135	10	160	165	145	225	290	333
90S	2,4,6,8	140	100	56	24	50	8	20	90	10	115	95	140	0	4-M8	3	34	170	12	180	180	165	255	340	393
90L	2,4,6,8		125															210						380	433
100L	2,4,6,8	160	140	63	28	60	8	24	100	12	130	110	160	0	4-M8	3.5	39	186	14	200	205	175	275	385	448
112M	2,6,8	190	140	70	28	60	8	24	112	12	130	110	160	0	4-M8	3.5	45	200	14	230	225	190	300	420	483
	4																	230						450	513

### B3 (Horizontal Foot Mounted Only)



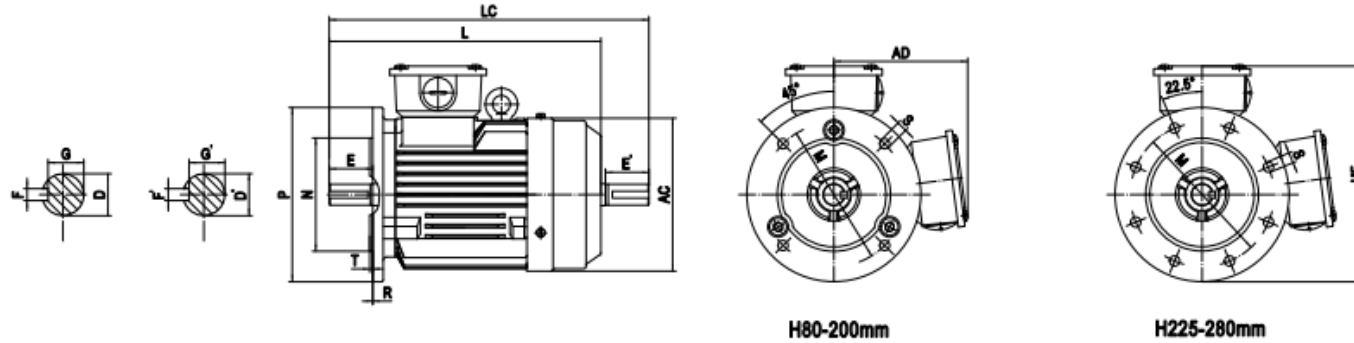
Frame	poles	Mounting Dimension												Overall Dimension																	
		A	B	C	D	D'	E	E'	F	F'	G	G'	H	K	AA	BB	HA	AB	AC	AD	HD	L	LC								
80M	2.4.6.8	125	100	50	19	19	40	40	6	6	15.5	15.5	80	10	32	135	10	160	165	145	225	290	333								
90S	2.4.6.8	140	100	56	24	24	50	50	8	8	20	20	90	10	34	145	12	180	180	165	255	340	393								
90L	2.4.6.8		125													170						380	433								
100L	2.4.6.8	160	140	63	28	28	60	60	8	8	24	24	100	12	39	186	14	200	205	175	275	385	448								
112M	2.6.8	190	140	70	28	28	60	60	8	8	24	24	112	12	45	200	14	230	225	190	300	420	483								
	4																					450	513								
132S	2.4.6.8	216	140	89	38	38	80	80	10	10	33	33	132	12	55	190	18	265	270	220	350	470	551								
132M	2.4.6.8		178													230						505	589								
160M	2.4.6.8	254	210	108	42	42	110	110	12	12	37	37	160	15	65	260	20	315	320	260	420	605	719								
160L	2.4.6.8		254													304						650	763								
180M	2.4.6.8	279	241	121	48	48	110	110	14	14	42.5	42.5	180	15	70	311	22	355	360	265	445	675	788								
180L	2.4.6.8		279													349						715	826								
200L	2.4.6.8	318	305	133	55	55	110	110	16	16	49	49	200	19	74	379	26	395	400	305	505	765	879								
225S	4.8	356	286	149	60	55	140	110	18	16	53	49	225	19	78	375	28	435	450	325	550	795	909								
225M	2		311													55						55	110	110	16	16	49	49	400	790	904
	4.6.8		60													55						140	110	18	16	53	49	820	934		
250M	2	406	349	168	60	55	140	110	18	16	53	49	250	24	80	445	30	490	510	380	630	885	998								
	4.6.8				65	55					58	49																			
280S	2	457	368	190	65	55	140	110	18	16	58	49	280	24	90	485	35	545	550	395	675	960	1074								
	4.6.8										75	60											140	20	18	67.5	53	1104			
280M	2		419		65	55		110	18	16	58	49	280	24	90	536	35	545	550	395	675	960	1125								
	4.6.8																						75	60	140	20	18	67.5	53	1155	
315S	2	508	406	216	65	65	140	140	18	18	58	58	315	28	120	570	45	635	630	540	855	1180	1330								
	4.6.8.10										80	80										170	170	22	22	71	71	1210	1390		
315M	2		457		65	65	140	140	18	18	58	58	315	28	120	610	45	635	630	540	855	855	1215	1365							
	4.6.8.10																						80	80	170	170	22	22	71	71	1245
315L	2	508	65	65	140	140	18	18	58	58	315	28	120	680	45	635	630	540	855	855	1290	1440									
	4.6.8.10																				80	80	170	170	22	22	71	71	1320	1500	

Dimensions

mm

Frame	poles	Mounting Dimension												Overall Dimension																															
		A	B	C	D	D'	E	E'	F	F'	G	G'	H	K	AA	BB	HA	AB	AC	AD	HD	L	LC																						
355M	2	610	560	254	75	75	140	140	20	20	67.5	67.5	355	28	130	690	52	735	715	645	1000	1380	1530																						
	4,6,8,10,12				95	80	170	170	25	22	86	71										1420	1590																						
355L/L1	2				630	254	75	75	140	140	20	20										67.5	67.5	355	28	130	750	52	735	715	645	1000	1500	1640											
	4,6,8,10,12						95	80	170	170	25	25										86	71										1530	1700											
355L2/L3	2						630	254	80	80	170	170										22	22										71	71	355	28	130	750	52	735	715	645	1000	1530	1700
	4,6,8,10,12								110	80	210	170										28	22										100	71										1570	1740

B5 (Footless and B5 Flange Mounted)



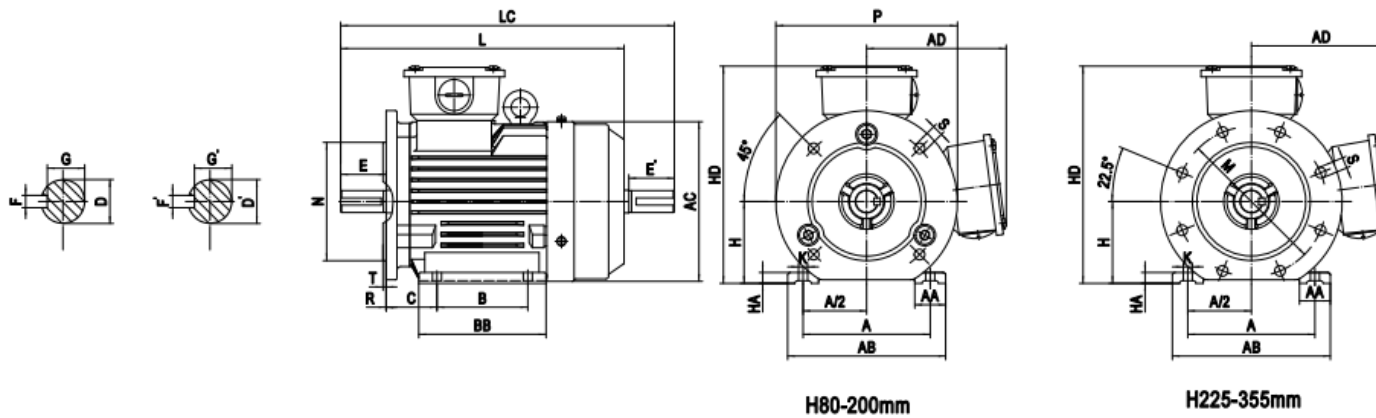
H80-200mm

H225-280mm

Frame	Poles	Mounting Dimension													Overall Dimension					
Frame	Poles	D	D'	E	E'	F	F'	G	G'	M	N	P	R	S	T	AC	AD	HF	L	LC
80M	2,4,6,8	19	19	40	40	6	6	15.5	15.5	165	130	200	0	4-Φ12	3.5	165	145	245	290	333
90S	2,4,6,8	24	24	50	50	8	8	20	20	165	130	200	0	4-Φ12	3.5	180	165	265	340	393
90L	2,4,6,8																		380	433
100L	2,4,6,8	28	28	60	60	8	8	24	24	215	180	250	0	4-Φ15	4	205	175	300	385	448
112M	2,6,8	28	28	60	60	8	8	24	24	215	180	250	0	4-Φ15	4	225	190	315	420	483
	4																		450	513
132S	2,4,6,8	38	38	80	80	10	10	33	33	265	230	300	0	4-Φ15	4	270	220	370	470	551
132M																			505	589

160M	2,4,6,8	42	42	110	110	12	12	37	37	300	250	350	0	4-Φ19	5	320	260	435	605	719
160L																			650	763
180M	2,4,6,8	48	48	110	110	14	14	42.5	42.5	300	250	350	0	4-Φ19	5	360	265	440	675	788
180L																			715	826
200L	2,4,6,8	55	55	110	110	16	16	49	49	350	300	400	0	4-Φ19	5	400	305	505	765	879
225S	4,8	60	55	140	110	18	16	53	49	400	350	450	0	8-Φ19	5	450	325	550	795	909
225M	2	55	48	110	110	16	16	49	43										790	904
	4,6,8	60	55	140	110	18	16	53	49										820	934
250M	2	60	55	140	110	18	16	53	49	500	450	550	0	8-Φ19	5	510	380	655	885	998
	4,6,8	65	55					58	49											
280S	2	65	55	140	110	18	16	58	49	500	450	550	0	8-Φ19	5	550	395	670	960	1074
	4,6,8	75	60		140	20	18	67.5	53											1104
280M	2	65	55		110	18	16	58	49										1015	1125
	4,6,8	75	60		140	20	18	67.5	53											

**B35 (Foot and B5 Flange Mounted)**



Frame	Poles	Mounting Dimension																		Overall Dimension																	
		A	B	C	D	D'	E	E'	F	F'	G	G'	H	K	M	N	P	R	S	T	AA	BB	HA	AB	AC	AD	HD	L	LC								
80M	2,4,6,8	125	100	50	19	19	40	40	6	6	15.5	15.5	80	10	165	130	200	0	4-Φ12	3.5	32	135	10	160	165	145	225	290	333								
90S	2,4,6,8	140	100	56	24	24	50	50	8	8	20	20	90	10	165	130	200	0	4-Φ12	3.5	34	170	12	180	180	165	255	340	393								
90L			125																			210						380	433								
100L	2,4,6,8	160	140	63	28	28	60	60	8	8	24	24	100	12	215	180	250	0	4-Φ15	4	39	186	14	200	205	175	275	385	448								
112M	2,6,8	190	140	70	28	28	60	60	8	8	24	24	112	12	215	180	250	0	4-Φ15	4	45	200		18	230	225	190	300	420	483							
	4		230	450	513																																
132S	2,4,6,8	216	140	89	38	38	80	80	10	10	33	33	132	12	265	230	300	0	4-Φ15	4	55	190	20	265	270	220	350	470	551								
132M			178																			230						505	589								
160M	2,4,6,8	254	210	108	42	42	110	110	12	12	37	37	160	15	300	250	350	0	4-Φ19	5	65	260	20	315	320	260	420	605	719								
160L			254																			304						650	763								
180M	2,4,6,8	279	241	121	48	48	110	110	14	14	42.5	42.5	180	15	300	250	350	0	4-Φ19	5	70	311	22	355	360	265	445	675	788								
180L			279																			349						715	826								
200L	2,4,6,8	318	305	133	55	55	110	110	16	16	49	49	200	19	350	300	400	0	4-Φ19	5	74	379	26	395	400	305	505	765	879								
225S	4,8	356	286	149	60	55	140	110	18	16	53	49	225	19	400	350	450	0	8-Φ19	5	78	375	28	435	450	325	550	795	909								
225M	2		311		55		55	110	110	16	16	49										49						400	350	450	0	8-Φ19	5	78	400	790	904
	4,6,8		60		140		110	53	49	400	350	450										0						8-Φ19	5	78	400	820	934				
250M	2	406	349	168	60	55	140	110	18	16	58	49	250	24	500	450	550	0	8-Φ19	5	80	445	30	490	510	380	630	885	998								
	4,6,8				65																																
280S	2	457	368	190	65	55	140	110	20	18	67.5	53	280	24	500	450	550	0	8-Φ19	5	90	485	35	545	550	395	675	960	1074								
	4,6,8				75	60		140																				20	18	67.5	53	1015	1125				
280M	2				419	75		60																				65	55	110	18	16	58	49	1015	1125	
	4,6,8																											75	60	140	20	18	67.5	53	1155		



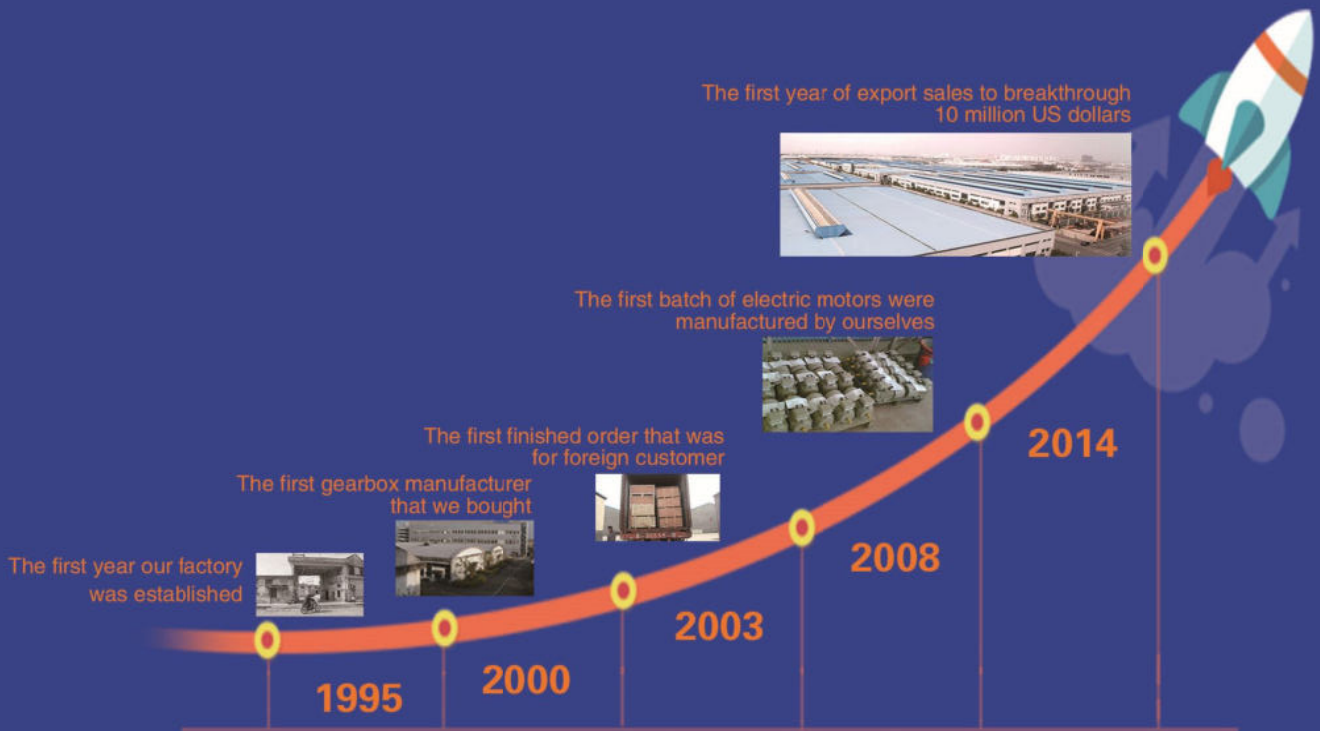
315S	2	508	406	216	65	65	140	140	18	18	58	58	315	28	600	550	660	0	8-Φ24	6	120	570	45	635	630	540	855	1180	1330																
	4,6,8,10				80	80	170	170	22	22	71	71										1210						1390																	
315M	2		457		508	216	65	65	140	140	18	18	58	58	315	28	600	550	660	0	8-Φ24	6	120	610	45	635	630	540	855	1215	1365														
	4,6,8,10						80	80	170	170	22	22	71	71										1245						1425															
315L	2		508		508	216	65	65	140	140	18	18	58	58	315	28	600	550	660	0	8-Φ24	6	120	680	45	635	630	540	855	1290	1440														
	4,6,8,10						80	80	170	170	22	22	71	71										1320						1500															
355M	2	610	560	254	75	75	140	140	20	20	67.5	67.5	355	28	740	680	800	0	8-Φ24	6	130	690	52	735	715	645	100	1390	1530																
	4,6,8,10. 12				95	80	170	170	25	25	86	71																1420	1590																
355L/L 1	2		630		560	254	75	75	140	140	20	20										67.5						67.5	355	28	740	680	800	0	8-Φ24	6	130	750	52	735	715	645	100	1500	1640
	4,6,8,10. 12						95	80	170	170	25	25										86						71																1530	1700
355L2/ L3	2		630		560	254	80	80	170	170	22	22										71						71	355	28	740	680	800	0	8-Φ24	6	130	750	52	735	715	645	100	1530	1700
	4,6,8,10. 12						110	80	210	170	28	22										100						71																1570	1740

Conventional mounting type and suitable frame size are given in following table (with “√”)

Frame	basic type			derived type											
	B3	B5	B35	V1	V3	V5	V6	B6	B7	B8	V15	V36	B14	B34	V18
63~112	√	√	√	√	√	√	√	√	√	√	√	√	√	√	√
132~160	√	√	√	√	√	√	√	√	√	√	√	√	-	-	-
180~280	√	√	√	√	-	-	-	-	-	-	-	-	-	-	-
315~355	√	-	√	√	-	-	-	-	-	-	-	-	-	-	-

If there is no other request in the order or agreement, terminal box standard position is at the right side of the frame; data above may be changed without prior notice.

## Always chase the first since 1995



Tel:+86-535-6330966

Mobile:+86-18563806647

E-mail: info@sogears.com

Viber/Line/Whatsapp/Wechat: 008618563806647

Web: www.sogears.com(Skype: qingdao411)

Headquarters Address: Wujin, Changzhou City, Jiangsu Province,China