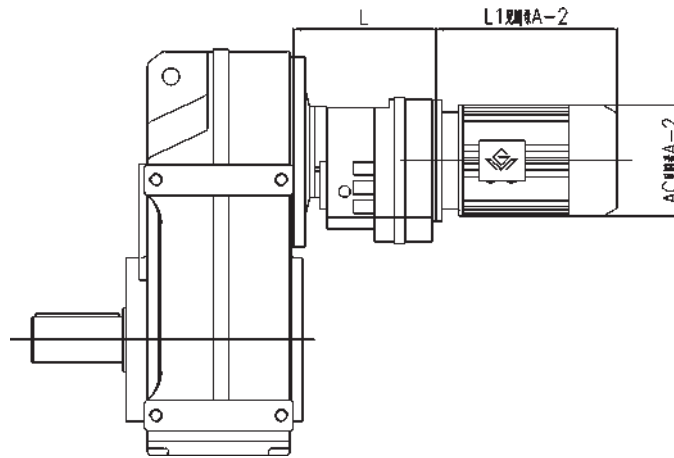


GF..R..
安装结构尺寸

GF..R..
Mounting Dimensional Description



机型号 Type Size	电机机座号 Motor fram size	L
GF..37R17 GF..47R17	63	131
	71	
	80	
GF..57R37	63	157
	71	
	80	
GF..67R37	63	157
	71	
	80	
GF..77R37	63	157
	71	
	80	
GF..87R57	63	187
	71	
	80	
GF..97R57	63	187
	71	
	80	
GF..107R77	63	220
	71	
	80	
GF..127R77	90	220
	100	
	112	
GF..127R87	132	272
	160	
	180	
GF..157R97	80	320
	90	
	100	
GF..177R97	112	320
	132	
	160	

机型号 Type Size	电机机座号 Motor fram size	L
GF..127R77	63	220
	71	
	80	
GF..127R87	90	272
	100	
	112	
GF..157R97	132	320
	160	
	180	
GF..177R97	80	320
	90	
	100	
GF..197R97	112	320
	132	
	160	

注:GFA/GFAF/GFF/GFAZ/GFH/GFHF/GFHZ 均可采用串联组合机型。

Note: Combined type is also available for type GFA/GFAF/GFF/GFAZ/GFH/GFHF/GFHZ.

注:电机需方配或配特殊电机时需加联接法兰(见附录 D)

Note: When equipping the user's motor or the special one, the flange is required to connected.(Please see appendix D)