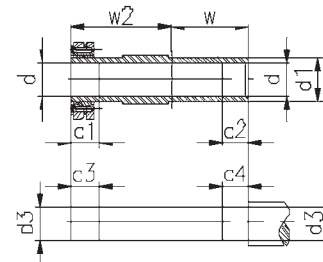
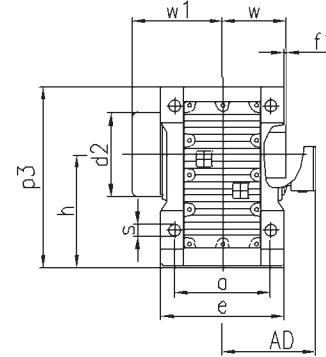
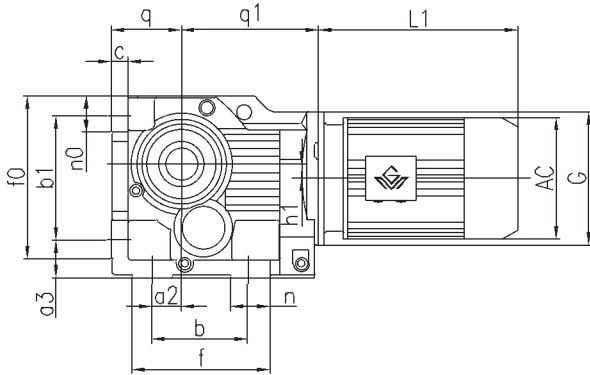


**GKH127-157**  
安装结构尺寸

**GKH127-157**  
Mounting Dimensional Description



规格 Specification	q <sub>1</sub> q	c s	n <sub>0</sub> b <sub>1</sub>	f <sub>0</sub> a <sub>3</sub>	f n	a <sub>2</sub> b	h p <sub>3</sub>	a e	w w <sub>1</sub>	w <sub>2</sub> f <sub>1</sub>	c <sub>1</sub> c <sub>2</sub>	c <sub>3</sub> c <sub>4</sub>	d <sub>2</sub> d <sub>1</sub>	d d <sub>3</sub>	h <sub>1</sub> G	电机尺寸 Motor Size			
																AC	AD	L1	
GKH127	390 225 <sub>-0.5</sub>	45 Φ 39	111 420	526 110	440 100	115 350	375 <sub>-1</sub> 592	330 400	205 296	280 2.5	85 70	95 80	Φ 233 Φ 135	Φ 105H7 Φ 105h6	53 Φ 450	见附录 A-2 Please see appendix A-2			
GKH157	426 280 <sub>-1</sub>	50 Φ 39	130 500	634 130	480 100	140 380	450 <sub>-1</sub> 705	420 500	250 370	330 /	90 80	100 90	Φ 315 Φ 155	Φ 125H7 Φ 125h6	71.7 Φ 550				

注:电机需方配或配特殊电机时需加联接法兰(见附录 D)

Note: When equipping the user's motor or the special one, the flange is required to connected.(Please see appendix D)

**A向法兰安装结构尺寸 (Fig.A Mounting Dimension)**

