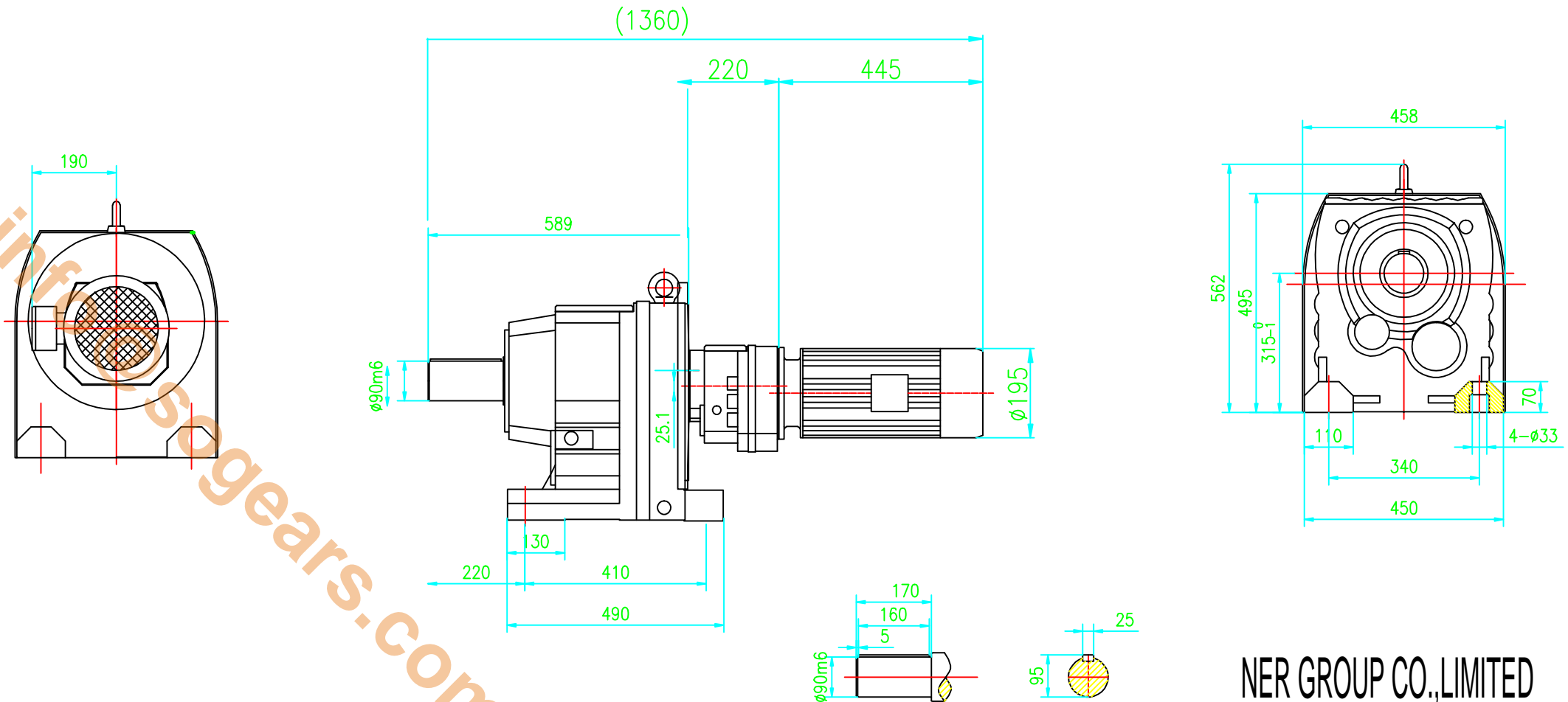


Gearmotor Model: R137/R77-YEJ1.5-4P-771-M1- ϕ 450



NER GROUP CO., LIMITED

www.sogears.com